

IS 3360

DALI-2 IPD - concealed, sq.
EAN 4007841 057244



infrared sensor
360°



max. 20 m



IP20



2 - 1000 lux



ideal 2,5 - 4 m



energy saving

5 JAHRE
HERSTELLER
GARANTIE

manufacturer's
warranty
steinel-professional.de/garantie



CE

Function description

Higher, further, faster. Infrared motion detector IS 3360 for indoors and out, ideal for watching over high spaces and large areas, such as multi-storey and underground car parks, installation height up to 4 m, 360° angle of coverage, reach 20 m max. (tangential). Available either in round or square surface-mounted and concealed version. DALI-2 Input Device enables sensors to communicate collected sensor data to higher-level lighting management systems.

IS 3360

DALI-2 IPD - concealed, sq.
EAN 4007841 057244

Technical specifications

Type	Motion and Presence Detector
Dimensions (L x W x H)	78 x 94 x 94 mm
Mains power supply	12 – 22,5 V / 50 – 60 Hz
Sensor Technology	passive infrared
Application, place	Indoors
Installation site	ceiling
Installation	Concealed wiring
Mounting height	2,5 – 4,00 m
Reach, radial	Ø 8 m (50 m ²)
Reach, tangential	Ø 40 m (1257 m ²)
Reach, presence	Ø 3 m (7 m ²)
Detection angle	360 °
Angle of aperture	180 °
Switching zones	448 switching zones
Optimum mounting height	2,8 m
Mechanical scalability	No
Sneak-by guard	Yes
Capability of masking out individual segments	Yes
Electronic scalability	No
Twilight setting TEACH	No

Twilight setting	2 – 1000 lx
Switching output 1, floating	No
Control output, Dali	Addressable/slave
Constant-lighting control	No
Basic light level function	No
With bus coupling	Yes
Settings via	Bus
With remote control	No
Interconnection	Yes
Type of interconnection	Master/slave
IP-rating	IP20
Material	Plastic
Ambient temperature	-20 – 50 °C
Application, room	production facilities, recreation room, changing room, function room / ancillary room, sports hall, reception / lobby, stairwell, WC / washroom, multi-storey / underground car park, warehouse, Indoors
Colour	white
Colour, RAL	9003
Manufacturer's Warranty	5 years
Version	DALI-2 IPD - concealed, sq.
PU1, EAN	4007841057244

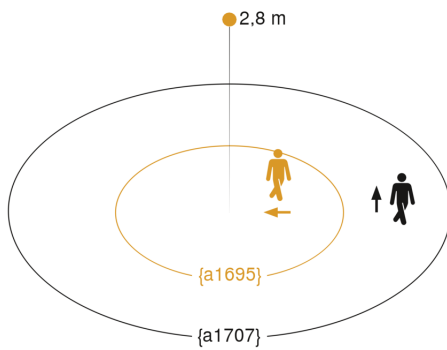
Accessories

EAN 4007841 009151	Remote control Smart Remote
EAN 4007841 056728	Black cover for IR-sensors

IS 3360

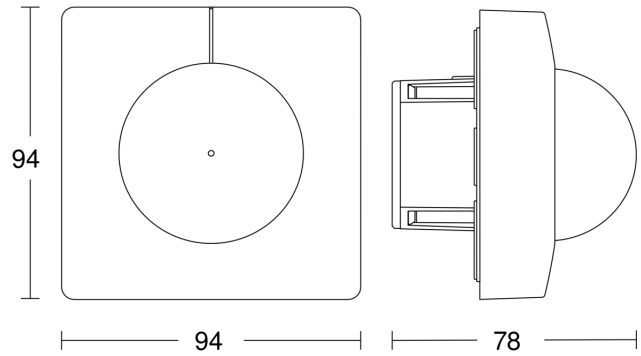
DALI-2 IPD - concealed, sq.
EAN 4007841 057244

Detection Zone



Mögliche Montagehöhe: 2,50 m – 4,00 m
Orange: radial
Schwarz: tangential

Dimension Drawing



Circuit diagram

